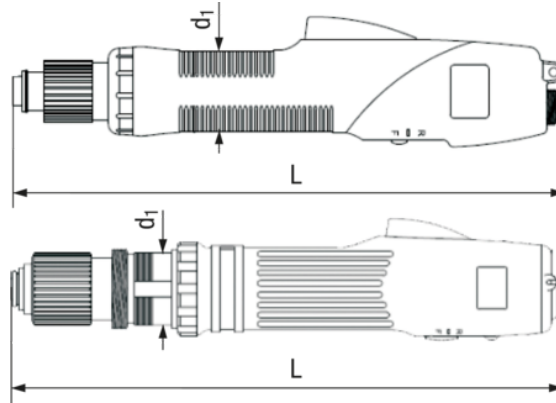


# Tappex® 035/E/A

## BN 2114 - Electric screwdriver for self-cutting threaded inserts



Manufacturer



Product description

- Automatic reverse function
- Adjustable torque settings
- Torque range 0,29-25 Nm
- 1/4" output spindle

Brand

Tappex®

Brandtype

035/E/A

Article no	d1	L	Input V	Speed rpm	Torque Nm	Code
9039935	36.5	245	32	700/1000	0,29-1,86	035/E/A0.3-32V
9039936	39.9	285	32	900/1200	0,98-2,94	035/E/A1.0-32V
9039940	41	302	40	750/1000	2-6	035/E/A2.0-40V
9039941	41	302	40	680/880	4-12	035/E/A4.0-40V
9039942	41	302	40	250/350	8-25	035/E/A8.0-40V